

Product data sheet

Specifications

SQUARE D



Surge protection device, HEPD, 80kA, 120/240V, 1 phase, 3 wire, SPD type 1

HEPD80

Product availability : Stock - Normally stocked in distribution facility

Price* : 185.00 USD

Main

Product	Surge protection device
Surge Arrester Type	Electrical distribution network
Range	Square D
Device Short Name	HEPD

Complementary

Surge Current	80 kA per phase
Voltage Rating	120/240 V AC
Number of Phases	1 phase
Wiring Configuration	3-wire (isolated ground)
Connection	Wire AWG 14
MCOV	150 V
Nominal Discharge Current	10 kA
Rated Current	10 kA
SCCR	25 kA
Local Signalling	1 LED green normal operation 1 LED green off
Product destination	Load center
Input voltage	600 V L-N 600 V L - G 1000 V L - L 900 V N - G
Height	3.23 in (82.04 mm)
Width	3.72 in (94.49 mm)
Depth	2.10 in (53.34 mm)
Cable length	34 in (863.60 mm)

Environment

Enclosure Rating	NEMA 4X
Enclosure Material	non-metallic
Standards	UL 1449

* Price is "List Price" and may be subject to a trade discount – check with your local distributor or retailer for actual price.

CUL
UL 1449:ed. 4: type I

Ambient Operating	-40...149 °F (-40...65 °C)
-------------------	----------------------------

Ordering and shipping details

Category	08461-SURGE PROTECTION RESI
Discount Schedule	DE1B
GTIN	785901008729
Nbr. of units in pkg.	1
Package weight(Lbs)	19.20 oz (544.311 g)
Returnability	Yes
Country of origin	US

Packing Units

Unit Type of Package 1	PCE
Package 1 Height	3.50 in (8.89 cm)
Package 1 width	6.00 in (15.24 cm)
Package 1 Length	8.00 in (20.32 cm)
Unit Type of Package 2	CAR
Number of Units in Package 2	3
Package 2 Weight	5.45 lb(US) (2.472 kg)
Package 2 Height	8.70 in (22.098 cm)
Package 2 width	11.00 in (27.94 cm)
Package 2 Length	6.70 in (17.018 cm)

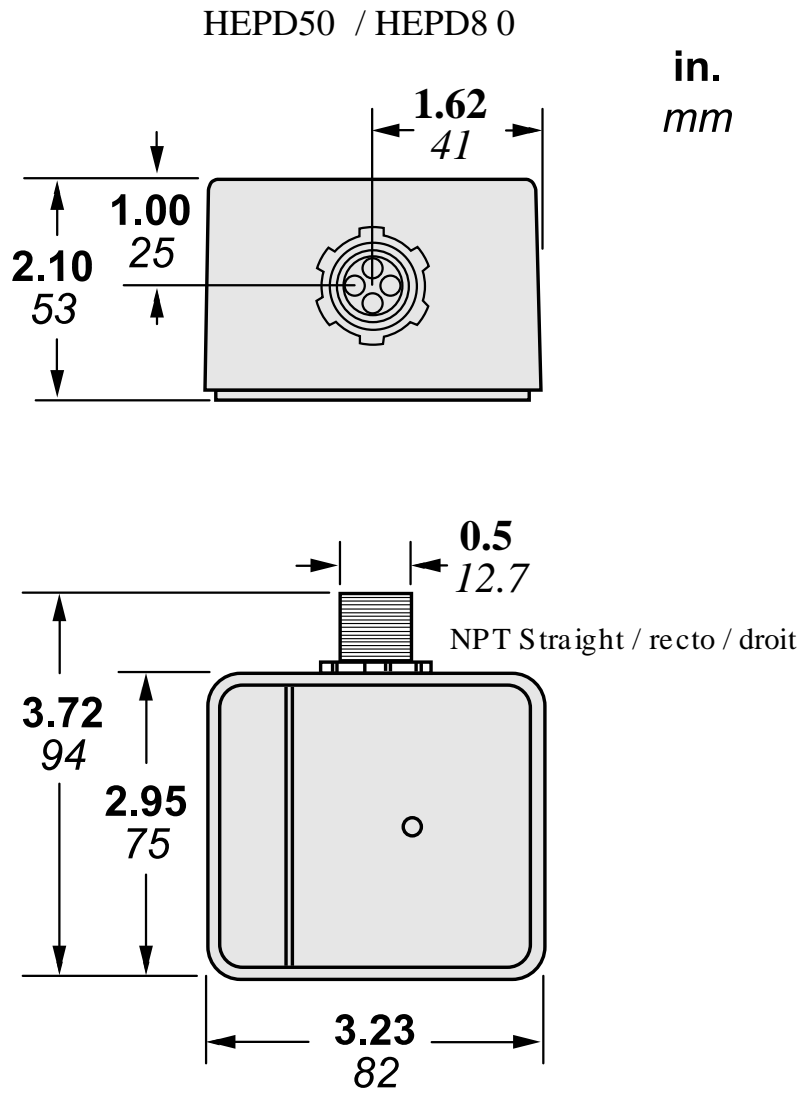
Offer Sustainability

REACH Regulation	REACH Declaration
EU RoHS Directive	Compliant EU RoHS Declaration
Mercury free	Yes
RoHS exemption information	Yes
China RoHS Regulation	China RoHS declaration Product out of China RoHS scope. Substance declaration for your information.

Contractual warranty

Warranty	18 months
----------	-----------

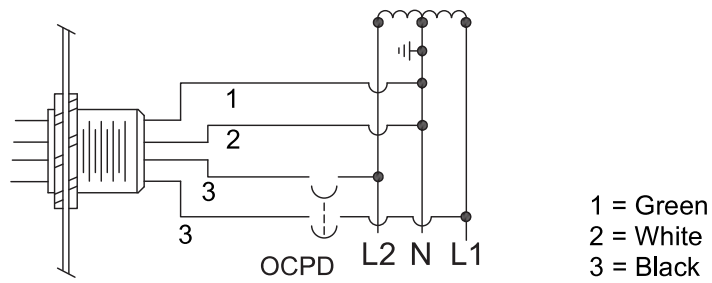
Dimensions



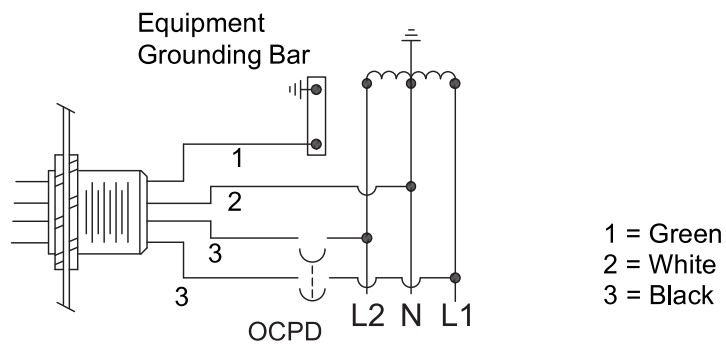
Wiring Diagram

Typical AC Surge Module Wiring Connection Diagrams

Refer to document number NVE82551 for installation instructions.



Service Entrance without Grounding Bar
120/240 V 1Ø, 3-Wire Circuit
OCPD = Over Current Protection Device



Sub Panel or Service Entrance with Grounding Bar
120/240 V 1Ø, 3-Wire Circuit
OCPD = Over Current Protection Device