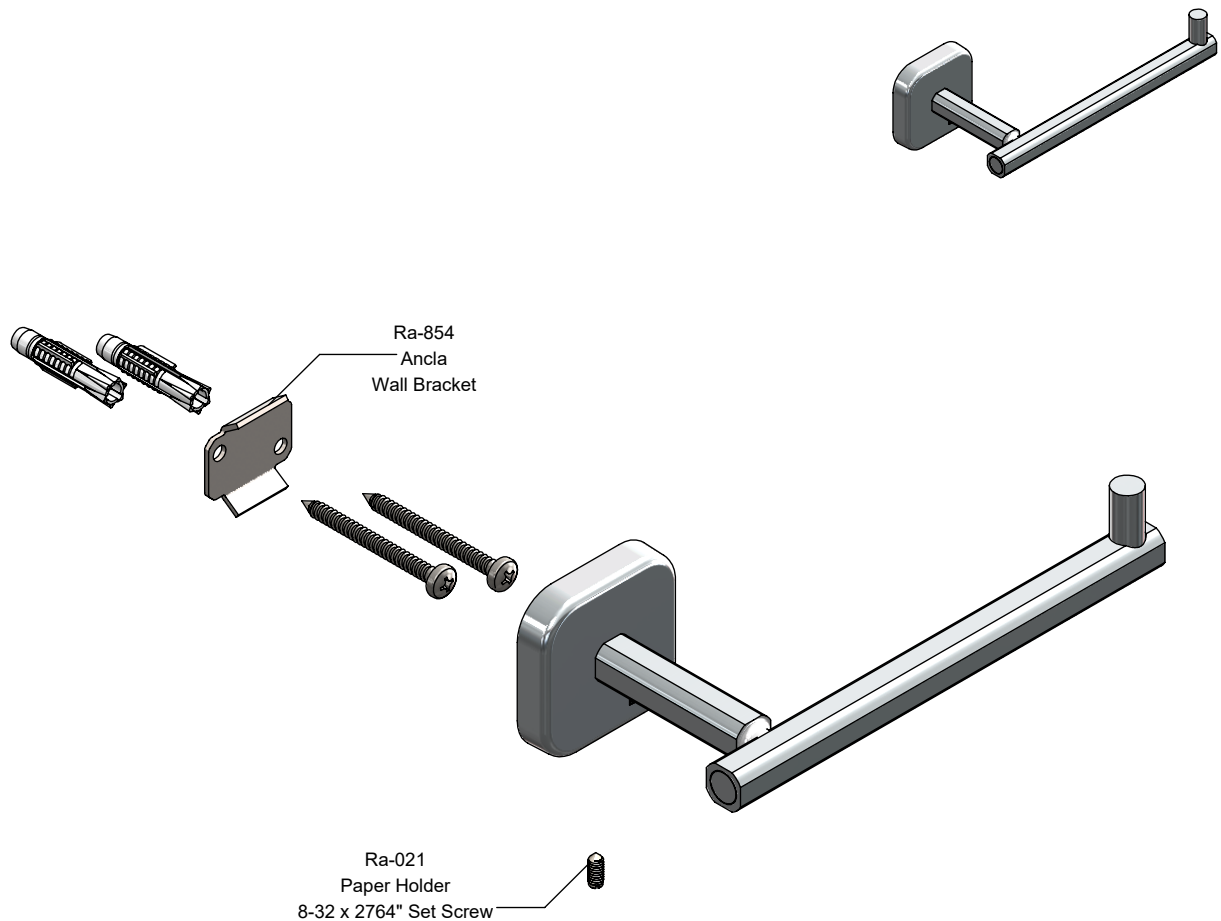


Kit de refacciones para mantenimiento preventivo / Kit of spare parts for preventive maintenance.



Sa-223  
Juego de Taquetes #7 y Pija 10-16 x 1-1/2"  
#7 Setting Kit and 10-16 x 1-1/2" Screw

