



WELFULL GROUP CO., LTD.

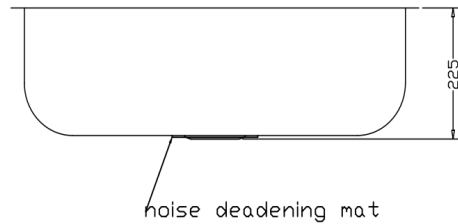
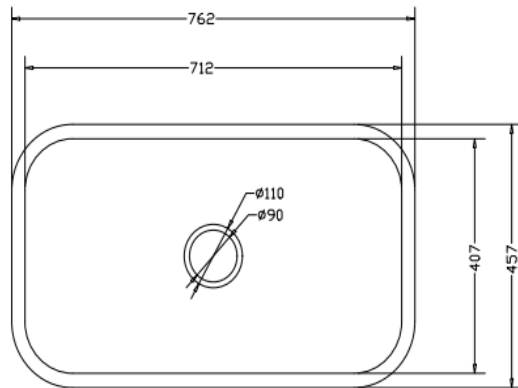
TECHNICAL DATA SHEET

**STAINLESS STEEL
SINK**

Standard Production Product

Stainless steel sink, SS304, Satin

Product Identification(Code)	Specification(mm)												
	SIZE (mm)	Material type	Material thickness (mm)	Installation	Finish	Bowl QTY/ Position	Faucet hole	Drainer hole	Over flow hole	Back paint	Packing	Ref. Weight (kg/pcs)	Brand
WSU3018 304	762x457x225	SS 304	1.00	Undermount	Satin	1/middle	N/A	110-90x1	Yes	White	Poly bag+cardboard/Pallet	5.90	RICHMOND



Material name and specification									Other Info				
Material: Stainless steel 304	Composition %								Finishing: Satin 437126 STAINLESS STEEL UNDERMOUNT 30X18X8" 304				
	C	Mn	P	S	Si	Cr	Ni	N					
	0.07 Max	2.00 Max	0.045 Max	0.030 Max	0.075 Max	17.5- 19.5	8.0- 10.5	0.10 Max					

<p>Application</p> <p>Ideal for kitchen cabinet with marble or ceramic counter top Undercounter installed will provide a nice surface and easy to clean the counter top</p>	<p>Notes</p> <p>With over flow hole, must install the over flow pipe and seal the over flow hole well. Since production tolerance, the hole on counter top must cut according to real sink.</p>	<p>Quality Supervisor</p> <p>XG ZHENG</p>
--	--	---