



# WELFULL GROUP CO., LTD.

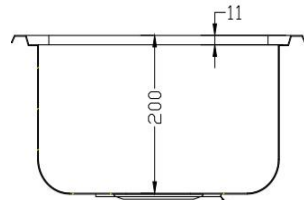
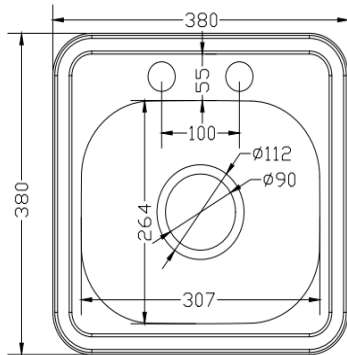
## TECHNICAL DATA SHEET

**STAINLESS STEEL  
SINK**

Standard Production Product

Stainless steel sink, SS201, Satin

Product Identification(Code)	Specification(mm)												
	SIZE (mm)	Material type	Material thickness (mm)	Installation	Finish	Bowl QTY/ Position	Faucet hole	Drainer hole	Over flow hole	Back paint	Packing	Ref. Weight (kg/pcs)	Brand
WS3838 201	380x380x200	SS 201	0.60	Inset	Satin	1	35x1	110-90x1	N/A	Gray	Poly bag+cardboard	1.45	 RICHMOND



Anti-noise stick

Material name and specification	Other Info																																								
Material: Stainless steel 201 <table border="1" style="width: 100%; border-collapse: collapse; margin-top: 5px;"> <thead> <tr> <th colspan="10" style="text-align: center;">Composition %</th> </tr> <tr> <th>C</th> <th>Ni</th> <th>Cr</th> <th>Mn</th> <th>Cu</th> <th>Si</th> <th>P</th> <th>S</th> <th colspan="2">N</th> </tr> </thead> <tbody> <tr> <td>0.15</td> <td>3.50-</td> <td>16.00-</td> <td>5.50-</td> <td>1.60</td> <td>1.00</td> <td>0.050</td> <td>0.030</td> <td colspan="2">0.05-</td> </tr> <tr> <td>Max</td> <td>5.50</td> <td>18.00</td> <td>9.30</td> <td>Max</td> <td>Max</td> <td>Max</td> <td>Max</td> <td colspan="2">0.25</td> </tr> </tbody> </table>	Composition %										C	Ni	Cr	Mn	Cu	Si	P	S	N		0.15	3.50-	16.00-	5.50-	1.60	1.00	0.050	0.030	0.05-		Max	5.50	18.00	9.30	Max	Max	Max	Max	0.25		Finishing: Satin 428651 LAVATRASTOS ACERO INOXIDABLE 1 FOSA 15X15" SIN ESCURRIDOR
Composition %																																									
C	Ni	Cr	Mn	Cu	Si	P	S	N																																	
0.15	3.50-	16.00-	5.50-	1.60	1.00	0.050	0.030	0.05-																																	
Max	5.50	18.00	9.30	Max	Max	Max	Max	0.25																																	

<p><b>Application</b></p> <p>Ideal for kitchen cabinet with big platform and need inset sink Faucet hole covers included, fit to different type of faucets.</p>	<p><b>Notes</b></p> <p>No over flow funtion, besure the site youapplied this sink has floor drain when sink drain get jamed.</p>	<p><b>Quality Supervisor</b></p>  <p><b>XG ZHENG</b></p>
---	--	--