



WELFULL GROUP CO., LTD.

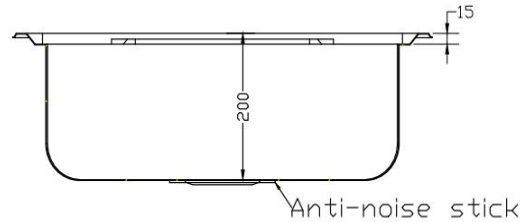
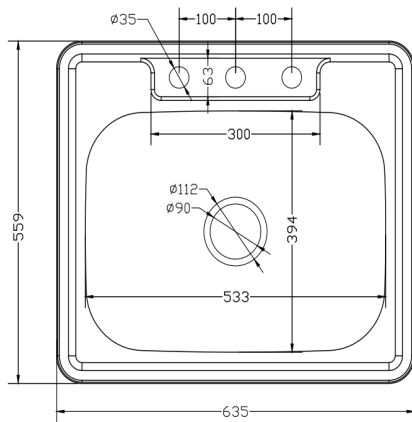
TECHNICAL DATA SHEET

**STAINLESS STEEL
SINK**

Standard Production Product

Stainless steel sink, SS201, Satin

Product Identification(Code)	Specification(mm)												
	SIZE (mm)	Material type	Material thickness (mm)	Installation	Finish	Bowl QTY/ Position	Faucet hole	Drainer hole	Over flow hole	Back paint	Packing	Ref. Weight (kg/pcs)	Brand
WS6456 201	635x559x200	SS 201	0.60	Inset	Satin	1	35x3-100	110-90x1	N/A	Gray	Poly bag+cardboard	3.05	RICHMOND



Material name and specification	Other Info																																								
Material: Stainless steel 201 <table border="1" style="width: 100%; border-collapse: collapse; margin-top: 5px;"> <thead> <tr> <th colspan="10" style="text-align: center;">Composition %</th> </tr> <tr> <th>C</th> <th>Ni</th> <th>Cr</th> <th>Mn</th> <th>Cu</th> <th>Si</th> <th>P</th> <th>S</th> <th colspan="2">N</th> </tr> </thead> <tbody> <tr> <td>0.15</td> <td>3.50-</td> <td>16.00-</td> <td>5.50-</td> <td>1.60</td> <td>1.00</td> <td>0.050</td> <td>0.030</td> <td colspan="2">0.05-</td> </tr> <tr> <td>Max</td> <td>5.50</td> <td>18.00</td> <td>9.30</td> <td>Max</td> <td>Max</td> <td>Max</td> <td>Max</td> <td colspan="2">0.25</td> </tr> </tbody> </table>	Composition %										C	Ni	Cr	Mn	Cu	Si	P	S	N		0.15	3.50-	16.00-	5.50-	1.60	1.00	0.050	0.030	0.05-		Max	5.50	18.00	9.30	Max	Max	Max	Max	0.25		Finishing: Satin 428647 LAVATRASTOS ACERO INOXIDABLE 1 FOSA 25X22" SIN ESCURRIDOR
Composition %																																									
C	Ni	Cr	Mn	Cu	Si	P	S	N																																	
0.15	3.50-	16.00-	5.50-	1.60	1.00	0.050	0.030	0.05-																																	
Max	5.50	18.00	9.30	Max	Max	Max	Max	0.25																																	

Application Ideal for kitchen cabinet with big platform and need inset sink Faucet hole covers included, fit to different type of faucets.	Notes No over flow funtion, besure the site youapplied this sink has floor drain when sink drain get jamed.	Quality Supervisor XG ZHENG
---	---	--